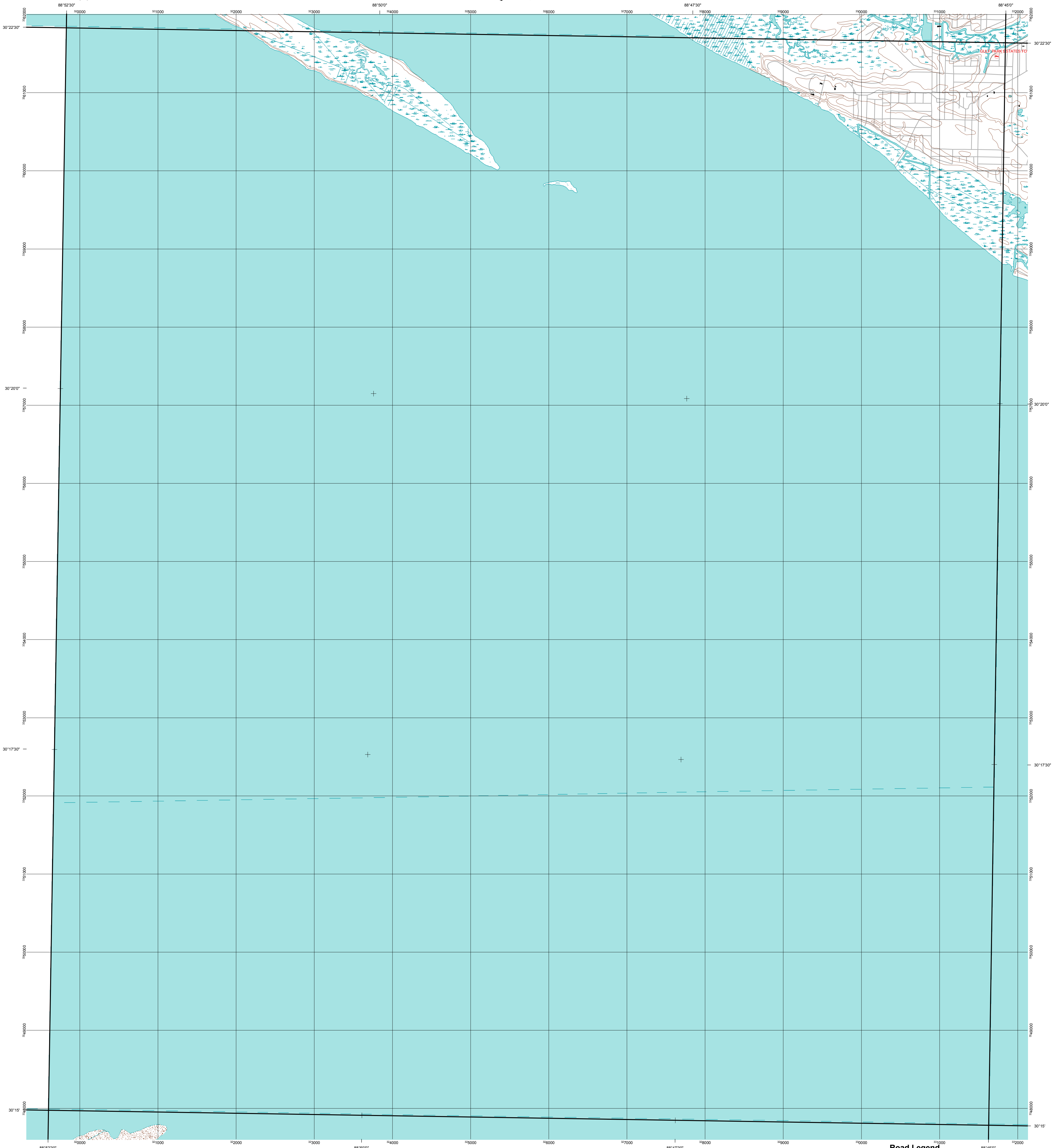




U.S. DEPARTMENT OF THE INTERIOR
U.S. GEOLOGICAL SURVEY



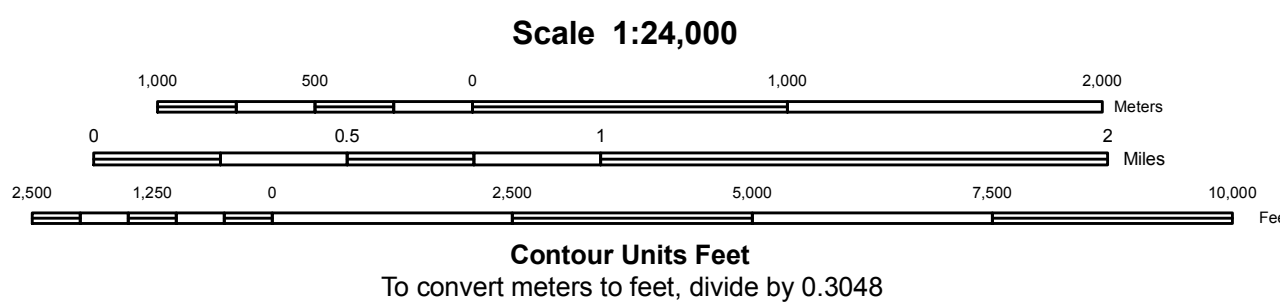
DEER ISLAND, MS Topographic Map Prototype



<BOL>Produced by USGS Product Generation Application</BOL>
Display projection: Universal Transverse Mercator, Zone 16 North
1000 Meter UTM Grid, Zone 16 North, NAD83

No cartographic or geographic edits were performed on this data
Selected data provided in the HSIP GOLD product is acquired from publicly available commodity vendors and is unclassified. Commercial data is restricted to Federal Users only. Exception to Releasability Restrictions stated above: In times of a Declared National Emergency the data in the HSIP data CAN be provided to the State & Local authorities at no additional cost for the duration of the crisis.

Hydrography - USGS 24000 scale Digital Line Graph
Hypsography - USGS 24000 scale Digital Line Graph
Transportation - Department of Census
Misc. Transportation - USGS 24000 scale Digital Line Graph
Manmade Structures - USGS 24000 scale Digital Line Graph
Labels - Geographic Names Information System



Road Legend			
	Primary Route		Local Street
	Primary Route Separated		Driveway or Service Road
	Secondary Route		Ferry crossing
	Secondary Route Separated		

Prototype Product - Not For Sale

Deer Island, MS
September 12, 2005
6:37 PM CST